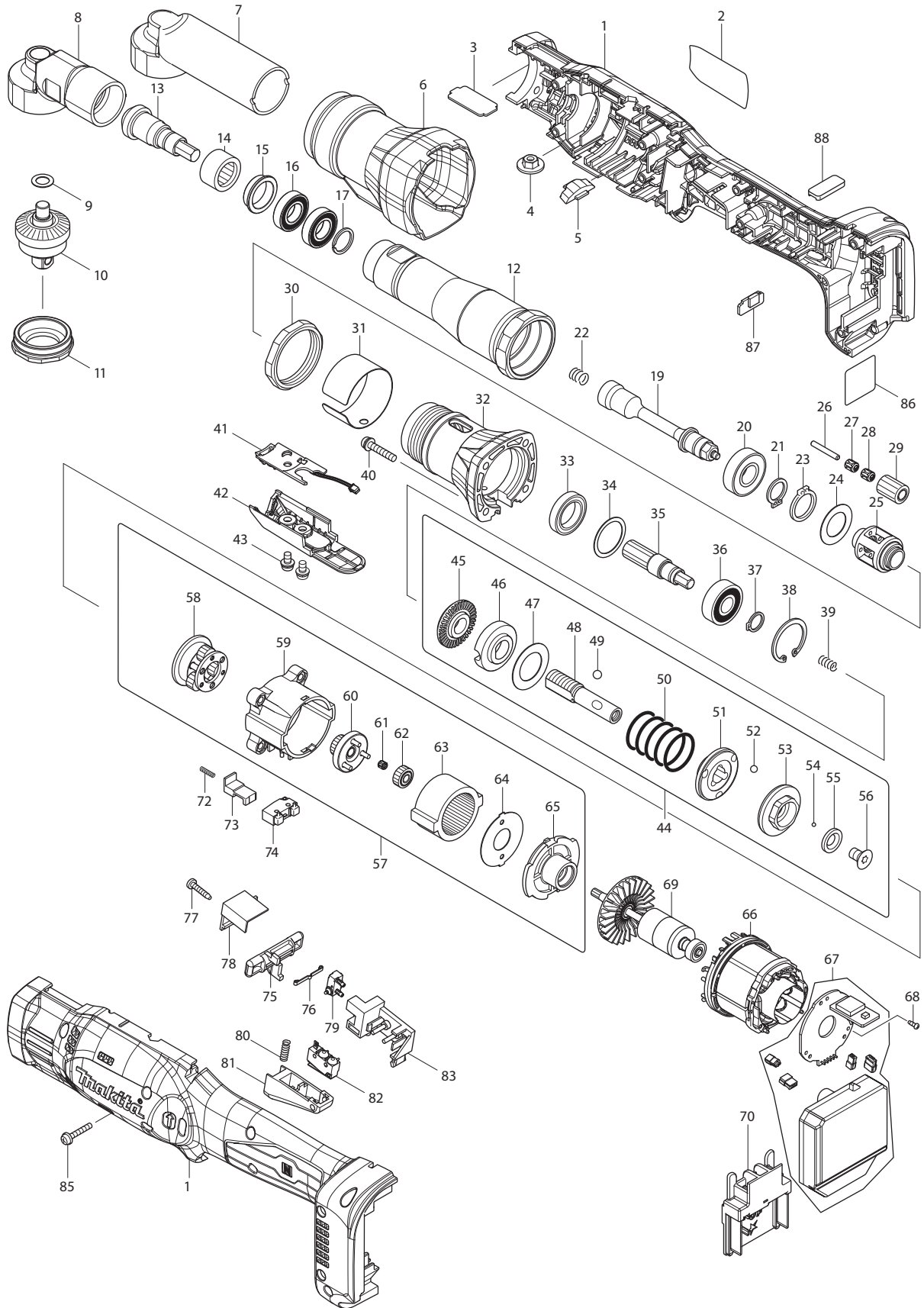




05 - 2016
DFL651FZ
18V 3/8" PRECISE TORQUE
ANGLE WRENCH (W/ USB)



PARTS LIST

Item No	Type	Part No	Description	Qty	Unit
001		183C90-7	HOUSING SET	1	SET
001	INC.	263005-3	RUBBER PIN 6	2	PC.
002		851R21-1	NAME PLATE F/DFL651F	1	PC.
003		346862-5	PLATE L	1	PC.
004		252142-8	HEX.NUT FLANGE M5	1	PC.
005	1	455767-9	LENS	1	PC.
005	2	458391-7	LENS	1	PC.
006		455773-4	PROTECTOR G	1	PC.
007		455771-8	PROTECTOR E	1	PC.
008		143716-5	ANGLE HEAD COMPLETE	1	PC.
009		253777-8	FLAT WASHER 8	1	PC.
010		143714-9	SPINDLE A COMPLETE	1	PC.
010	INC.	233081-1	COMPRESSION SPRING 3	1	PC.
010	INC.	322640-7	CAP	1	PC.
010	INC.	256436-3	PIN 3-5	1	PC.
011		285739-8	BEARING RETAINER 20-34	1	PC.
012		143717-3	INTERNAL GEAR HOUSING COMPLETE	1	PC.
013		221443-5	SPIRAL BEVEL GEAR 9	1	PC.
014		212222-2	NEEDLE BEARING 1612	1	PC.
015		326709-9	SPACER	1	PC.
016		211288-9	BALL BEARING 6901DDW	2	PC.
017		961082-6	RETAINING RING WR12	1	PC.
019		326708-1	SHAFT	1	PC.
020		211131-2	BALL BEARING 6001DDW	1	PC.
021		961072-9	RETAINING RING S-12	1	PC.
022		234392-7	COMPRESSION SPRING 6	1	PC.
023		961056-7	RETAINING RING S-16	1	PC.
024		253749-3	FLAT WASHER 16	1	PC.
025		326491-0	CARRIER	1	PC.
026		256221-4	PIN 3	4	PC.
027		212131-5	NEEDLE CAGE 307	4	PC.
028		212131-5	NEEDLE CAGE 307	4	PC.
029		227364-9	SPUR GEAR 14	4	PC.
030		252187-6	HEX. NUT M36-41	1	PC.
031		346863-3	RING 38R	1	PC.
032		317808-8	CLUTCH CASE	1	PC.
033		211283-9	BALL BEARING 6803ZZ	1	PC.
034		267283-7	FLAT WASHER 21	1	PC.

Item No	Type	Part No	Description	Qty	Unit
035		227365-7	SPUR GEAR 13	1	PC.
036		211088-7	BALL BEARING 6000DDW	1	PC.
037		961026-6	RETAINING RING S-10	1	PC.
038		962105-3	RETAINING RING R-26	1	PC.
039	2	232657-1	COMPRESSION SPRING 4	1	PC.
040		265145-3	+ PAN HEAD SCREW M4X22	4	PC.
041		620396-9	LED CIRCUIT	1	PC.
042	2	457976-6	SWITCH COVER	1	PC.
043		265171-2	PAN HEAD SCREW M4X8	2	PC.
044	3	122F14-6	* CLUTCH ASS'Y E	1	PC.
044	3	INC.	* Item No. 45-54		
045		324834-0	LOCK NUT M12	1	PC.
046		158408-3	ADJUST RING COMPLETE	1	PC.
047		267276-4	FLAT WASHER 18	1	PC.
048	3	327645-2	* SPINDLE	1	PC.
049		216018-3	STEEL BALL 5.0	3	PC.
050		233385-1	COMPRESSION SPRING 19D	1	PC.
051		223146-7	CAM D	1	PC.
052		216024-8	STEEL BALL 4	3	PC.
053	2	223187-3	* CAM F	1	PC.
054	2	216024-8	* STEEL BALL 4	1	PC.
055		267247-1	* FLAT WASHER 7 (removed)	1	PC.
056		266305-0	* TORX C.S HEAD SCREW M5X10 (removed)	1	PC.
057	2	127580-2	* GEAR ASSEMBLY F	1	PC.
057	2	INC. 211375-4	* BALL BEARING 6805LLB	1	PC.
057	2	INC. 227050-2	* SPUR GEAR 13	5	PC.
057	2	INC.	* Item No. 58-65		
058	1	143137-1	CARRIER COMPLETE	1	PC.
058	2	140T45-7	CARRIER COMPLETE	1	PC.
059		418004-2	GEAR CASE	1	PC.
060	1	143052-9	SPUR GEAR 20 COMPLETE	1	PC.
060	2	140T46-5	SPUR GEAR 20 COMPLETE	1	PC.
061	2	212194-1	NEEDLE CAGE 205	3	PC.
062		227366-5	SPUR GEAR 18	3	PC.
063		227048-9	INTERNAL GEAR 47	1	PC.
064		267774-8	LOCK WASHER	1	PC.
065		418003-4	MOTOR BRACKET	1	PC.
066		629151-6	STATOR 18V	1	PC.
067	2	620854-5	CONTROLLER	1	PC.

Item No	Type	Part No	Description	Qty	Unit
068		266490-9	TAPPING SCREW PT 2X6	3	PC.
069		619364-7	ROTOR	1	PC.
070		643860-3	TERMINAL	1	PC.
072		234361-8	COMPRESSION SPRING 2	1	PC.
073		418002-6	SWITCH LEVER	1	PC.
074	1	632E35-9	SWITCH UNIT	1	PC.
075		455766-1	F/R CHANGE LEVER	1	PC.
076		232201-4	LEAF SPRING	1	PC.
077		266130-9	TAPPING SCREW BIND PT 3X16	1	PC.
078		418204-4	COVER	1	PC.
079	1	638276-5	SWITCH UNIT	1	PC.
080		231397-8	COMPRESSION SPRING 4	1	PC.
081		418203-6	SWITCH LEVER A	1	PC.
082	1	638275-7	SWITCH UNIT	1	PC.
083		418202-8	SWITCH BASE	1	PC.
085		265095-2	PAN HEAD SCREW M3X20	8	PC.
086		851R24-5	SERIAL NO. LABEL F/DFL651F	1	PC.
087		620494-9	USB CIRCUIT	1	PC.
088		424827-8	USB COVER	1	PC.
A01		661432-2	USB CABLE	1	PC.
A02		765027-4	TORQUE ADJUST TOOL	1	PC.
A03		197045-8	ANTI KICK BACK ATTACHMENT	1	PC.
A04		---	18V LI-ION BATTERY		
A05		---	BATTERY CHARGER		
A06		---	LI-ION BATTERY ACCESSORIES		
A07		---	TORQUE TRACER ACCESSORIES		
C01		808V40-2	CAUTION LABEL	1	PC.

SERVICE CHANGES

1. Changes on Gear 20 Complete etc.

(T/I#D0691)

Item No.	Description	Type 1	Type 2
57	Gear assembly F	123294-1	127580-2
57C	Ball Bearing 6805LLB	---	211375-4
57C	Spur Gear 13	---	227050-2
60	Spur Gear 20 Complete	143052-9	140T46-5
58	Carrier Complete	143137-1	140T45-7

Components of Item No. 57

Above parts are completely interchangeable as a set.

2. Changes on Spindles and Clutch Assembly

(T/I#DK689)

(T/I#DM780)

Item No.	Description	Type 1	Type 2	Type 3
44	CLUTCH ASSY E	125392-7	-----	-----
	CLUTCH ASSY W	-----	122F15-4	-----
	CLUTCH ASSY WR	-----	-----	122F14-6
		Item No. 45-56	Item No. 45-54	
48	SPINDLE	324296-2	327086-2	327645-2
53	CAM A	223139-4	-----	-----
	CAM F	-----	223187-3	
54	STEEL BALL 3	216019-1	-----	-----
	STEEL BALL 4	-----	216024-8	
55	FLAT WASHER 7	267247-1	-----	-----
56	TCSH SCREW M5X10	266305-0	-----	-----

Components of Item No. 44 (Type 2 & Type 3)

Above parts are completely interchangeable as a set.